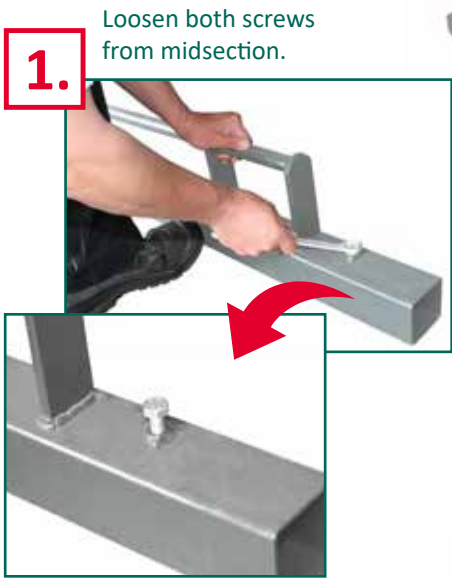
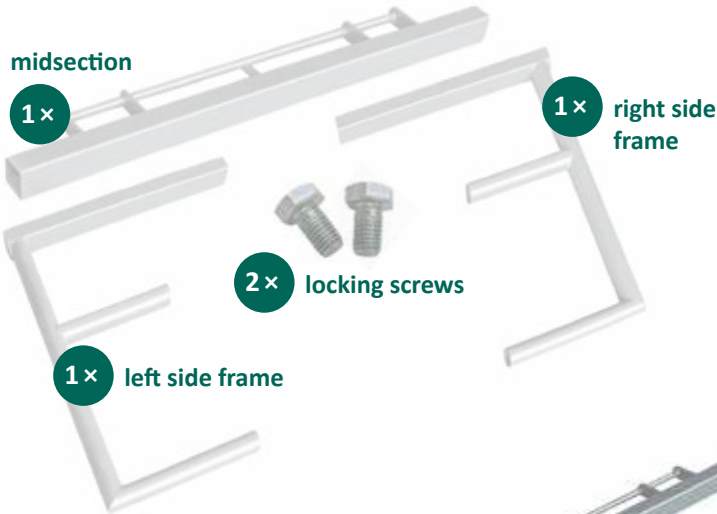


Film unwinder

Instruction sheet

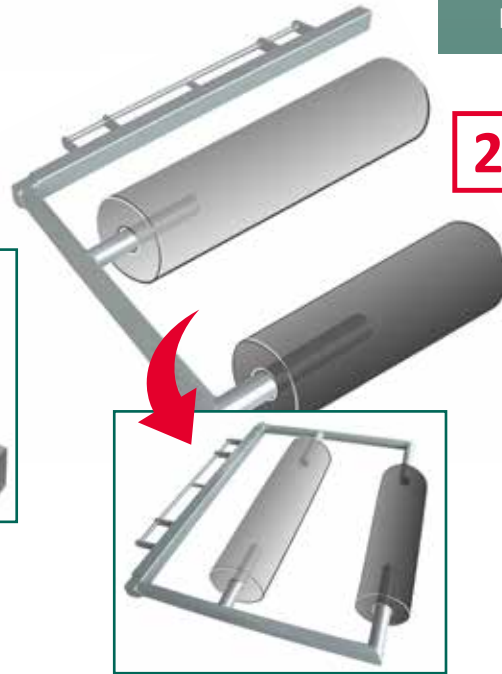
How to assemble **jbs abroller** correctly:

Set-up 1 → for up to 14 metres ▪ Set-up 2 → from 16 m to 27 m



1.

Loosen both screws from midsection.

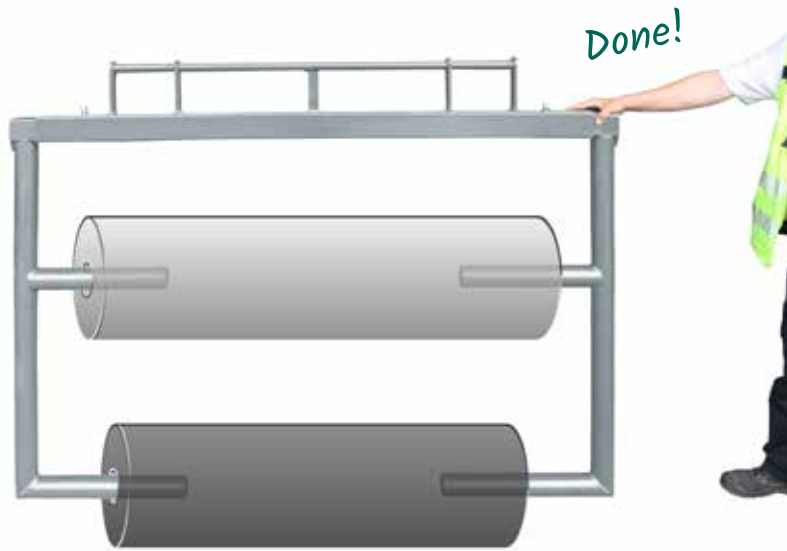


2.

Push the first side frame into the midsection, insert film roll(s) and close with second side frame.

3.

Carefully tighten both screws.



At a glance

If you buy a jumbo roll (at least 150 m or longer), we will supply one of these devices on loan, at no extra charge:

- film unwinder for widths up to 14 m
- film unwinder for widths between 16 and 27 m

If you have any questions, please don't hesitate to call – we're happy to help!
Tel.: +49 4262 - 20 74 -913

